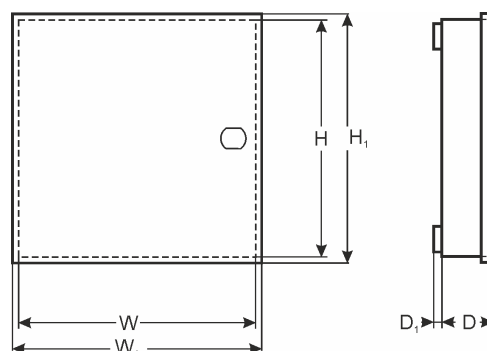


CODE: **AWO205PU** v.1.1/II
 NAME: **17/40/SATEL/PUSTA**



DESTINATION

7Ah:

- 1) CA4V1, 5, 6, 10, VERSA 5, 10, 15, INTEGRA 24, 32 + 3 x CA10E (CA64E, SM, MST1)
- 2) CA4V1, 5,6,10, VERSA 5,10,15, INTEGRA 24, 32 + CA10E (CA64E, SM, MST1) + GSMLT1
- 3) CA4V1,5,6,10, VERSA 5,10,15, INTEGRA 24, 32 + CA10E (CA64E, SM, MST1) + CA64 (EPS, ADR, O-R, O-ROC, O-OC, VGM- 16, SR, ACC- KP-PS)
- 4) INTEGRA 64, 128

MODULES:

1)CA64 (PP, EPS, ADR, O- R, O-ROC, O-OC, OPS- OC, OPS- R, OPS- ROC, VGM- 16, SR, PTSA, ACC-KP-PS) + 3 x CA10E (CA64E, SM, MST1)

17 Ah:

- 1) CA4V1, 5,6, 10, VERSA 5,10,15, INTEGRA 24, 32 + 2 x CA10E (CA64E, SM, MST1)
- 2) CA4V1, 5,6,10, VERSA 5,10,15, INTEGRA 24, 32 + GSMLT1
- 3) CA4V1, 5,6,10, VERSA 5,10,15, INTEGRA 24, 32 + CA64 (EPS, ADR, O- R, O-ROC, O-OC, VGM-16, SR, ACC- KP- PS)

MODULES:

1) CA64 (PP, EPS, ADR, O-R, O-ROC, O-OC, OPS- OC, OPS- R, OPS- ROC, VGM-16, SR, PTSA, ACC- KP-PS) + 2x CA10E (CA64E, SM, MST1)

TECHNICAL DATA

External dimensions of the enclosure:	W=250, H=250, D+D1=80+8 [+/-2 mm]
External dimensions of the front panel:	W1=255, H1=255 [+/-2 mm]
Weight net/gross:	2,00kg / 2,20kg [+/-0,1kg]
Battery space:	17Ah/12V Sealed Lead Acid (SLA)
Transformer:	without transformer - can be mounted in the casing: TRP20,TRP40,TRZ20,TRZ40,EI20,EI40
Tamper protection:	1x microswitch: opening, 0,5A@50V/DC max. NC
Material description:	sheet steel DC01, thickness: 0,7mm, protection anticorrosion, color: RAL 9003
Destination:	indoor
Closing:	screwed x 4
Notes:	optional: lockable, distance from wall (mounting surface) - 8mm, easy door removal hole for pigtail (LT-1x antenna)
Declaration, warranty:	CE, 2 year from the production date