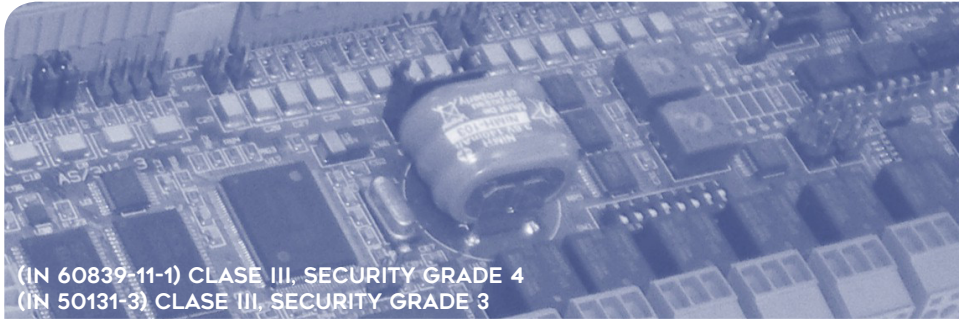


ASD/1 CONTROLLER

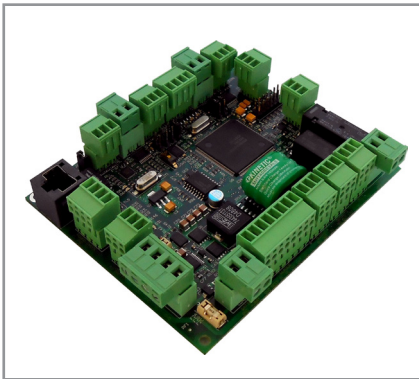
CONTROLLER FOR ACCESS CONTROL AND SIGNAL INTEGRATION

D1211000



(IN 60839-11-1) CLASE III, SECURITY GRADE 4
(IN 50131-3) CLASE III, SECURITY GRADE 3

▶ ASD/1 CONTROLLER



DORLET ASD/1 controller is a high-range controller for access control and signal integration. It allows the connection of 1 door with a unique reader and control of all the door signals (magnetic contact, exit button and electric strike).

This working mode of the controller can be changed. It also includes supervised inputs and outputs, direct connection to ethernet (10/100 Mbps), high processing speed and

high memory capacity of program and data storage. It can be supplied to 220 VAC or POE+ (Power Over Ethernet) depending on the model of controller.

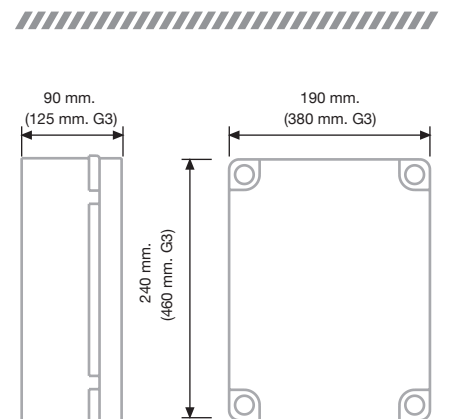
The most common applications of the ASD/1 controller are:

- Access control, parking and capacity control.
- Time & Attendance.
- Intrusion and technical alarm control.
- Lift management.

The entire configuration of the controller (parameters, cards, rights, timetables, transactions, etc...) is stored in its internal memory, making this an extremely fast operating system, in on-line mode and stand-alone mode as well.

FEATURES

- 1 reader for access control and/or time attendance and one auxiliary RS232 input to connect license plate readers, printers, displays...
- High capacity: 100.000 employee cards, 2500 visitor cards, 10.000 license plates, 10.000 access transaction logs, 1.000 alarm transaction logs...
- 1 output (configurable) for electronic lock.
- 1 magnetic contact for readers, 1 exit button inputs for door opening and 1 input for reader inhibition.
- 4 supervised inputs for general purpose (with stand by detection, alarm, short-circuit, open circuit, antimasking and sensor failure), 1 of them configurable as analogue.
- 3 digital outputs for general purpose, 1 of them by relay .

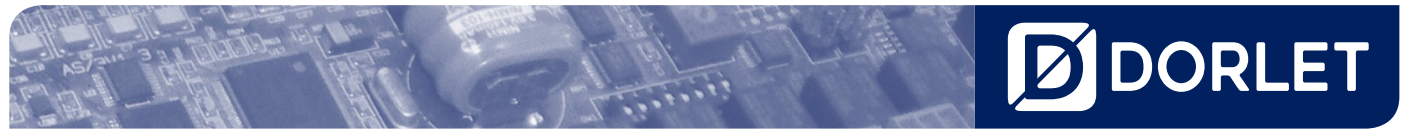


This document contained in this document is subject to change without prior warning. Nothing in this document can be interpreted as an additional warranty. Dorlet S.A.U does not accept responsibility for any errors or technical or editorial omission contained in this document.

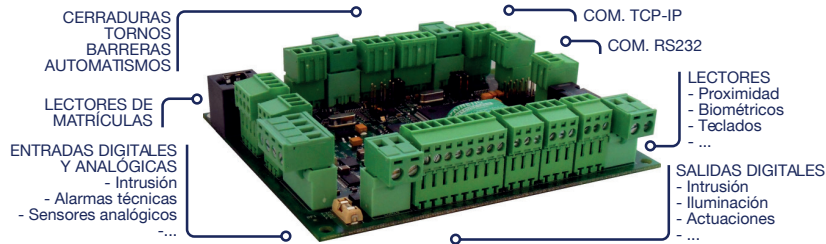
ASD/1 CONTROLLER

CONTROLLER FOR ACCESS CONTROL AND SIGNAL INTEGRATION

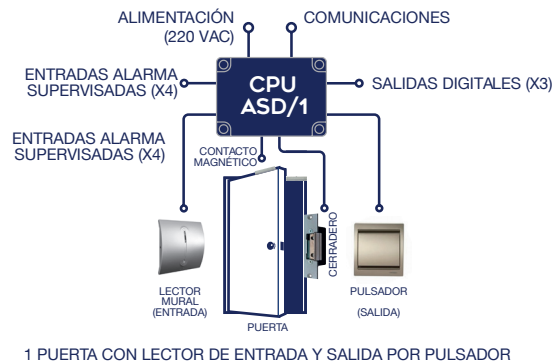
D1211000



ASD/1 CONTROLLER



The ASD/1 controller centralizes all access control signals (readers, locks, sensors...). The electrical supply for the devices is provided by the controller and most of the cases no additional supply source is required.



CERTIFICATIONS

ASD/1-G fullfills norms UNE-EN 60839 Grade 4 (access control) and UNE-EN 50131 Grade 3 (intrusion).

	UNE-EN 60839 GRADE 4	UNE-EN 50131 GRADE 3	TAMPER BOX	TAMPER LID	POWER SUPPLY GRADE 3	BATTERY 12 VDC
ASD/1:	No	No	No	No	No	No
ASD/1-PoE+:	No	No	No	No	No	No
ASD/1-G:	Yes	Yes	Yes	Yes	Yes	Yes

FEATURES

Box tamper: the box has a tamper for detecting if the box is being removed from the wall.

Box tamper: the box has a tamper for detecting if the lid has been opened.

Grade 3 power supply: power supply with 220 VAC loss detection, low battery, battery error, low output tension and power supply error, fulfilling norm UNE-EN 50131.

12VDC battery supply: G model comes with a 12VDC and 7,2 Ah security battery, assuring that the controller will work for at least 4 more hours since the power cut.

This document contained in this document is subject to change without prior warning. Nothing in this document can be interpreted as an additional warranty. Dorlet S.A.U does not accept responsibility for any errors or technical or editorial omission contained in this document.

ASD/1 CONTROLLER

CONTROLLER FOR ACCESS CONTROL AND SIGNAL INTEGRATION

D1211000



▶ ASD/1 CONTROLLER

▶ PHYSICAL

	ASD/1	ASD/1-PoE+	ASD/1-G
Box dimensions:	240 x 190 x 90 mm.	240 x 190 x 90 mm.	460 x 380 x 125 mm.
ASD/1 board dimensions:	100 x 124 x 30 mm.	100 x 124 x 30 mm.	100 x 124 x 30 mm.
Power supply dimensions:	82 x 99 x 36 mm.	100 x 50 x 30 mm.	100 x 213 x 40 mm.
Controller weight:	3,5 kg.	3,5 kg.	5,0 kg. (with battery)
Protection:	IP56	IP56	IP56

▶ POWER SUPPLY

	ASD/1	ASD/1-PoE+	ASD/1-G
Power supply input:	88-264 VAC, 47/63 Hz.	PoE (IEEE® 802.3af/at)	88-264 VAC, 47/63 Hz.
*Power supply available for readers and locks.	35 Watt.	22 Watt.	100 Watt.
Power supply output:	5 VDC. and 12 VDC.	5 VDC. and 12 VDC.	5 VDC. and 12 VDC.
Battery output:	Yes (13,8 VDC.)	No	Yes (13,8 VDC.)
Grade 3 signal:	No	No	Yes

▶ COMMUNICATIONS

TCP-IP:	10/100 Mbps., connector RJ-45, TELNET server for communications configuration.
Encryption:	AES-128

The controller box has a space to store a 12 VDC and 7,2 Ah battery (supplied with the 3G version).

▶ ELECTRONICS:

Microcontroller:	Renesas RX63N
Specifications:	96 MHz., 32 bits core
Memory:	RAM 8 Mbyte.
Program memory:	Flash 768 Kbytes.
Data retention:	Battery to preserve RAM (1 month)
Remote update:	Yes (through TCP-IP)
Clock:	In real time

In G3 version the power supply provides low battery, battery error, low output voltage and power supply error signals.

The controller provides the power supply for readers as well as locks and associated sensors (consult the consumption of each element).

The controller allows reprogramming, updating and changing its FLASH memory through TCP-IP.

▶ INPUTS AND OUTPUTS

Reader inputs:	1 (door with just entry)
Auxiliary inputs:	1 RS232 (car license plates, printers tickets, displays...)
Digital inputs:	3 (1 push button, 1 magnetic contact, 1 reader inhibition) and 1 tamper
Supervised digital inputs:	4 (1 of these can be configured as analogue)
Lock outputs:	1 (configurable NO/NC and with/without voltage)
Digital outputs:	3 (1 by relay)
Power supply output:	2 (5 VDC. and 12 VDC for sensor supply)
Bus extension:	I2C (for I/O extension boards)

The inputs and outputs can be distributed depending on the controller's configuration (barriers, turnstiles...) thus allowing the control of traffic lights, induction loops... Consult the installation manual for the different possible configurations.

Supervised inputs allow the detection of short-circuit, antimasking, sensor error, open-circuit, stand by and alarm.

▶ CAPACITIES

- Employee cards: 100.000
 - Visitor cards: 2.500
 - Vehicle license plates: 10.000
 - Access transaction logs: 1.000
 - Alarm transaction logs: 1.000
 - Timetables with 3 type of days
 - Extended timetables with 7 type of days
 - Alarm timetables
 - Automatic opening timetables
 - PIN removal timetables
- (Standard capacities, consult other configurations).

This document contained in this document is subject to change without prior warning. Nothing in this document can be interpreted as an additional warranty. Dorlet S.A.U does not accept responsibility for any errors or technical or editorial omission contained in this document.