

# DC101S60

**Contacto magnético para superficie. Apertura operativa máx. 15mm. 6m de cable. Blanco.**

## DC101-Series

---

The DC101-Series surface mount magnetic contacts are designed for use in installations where a small, sealed unit is required. The reed switch is totally encapsulated in an exclusive polyurethane potting compound preventing moisture from entering the switch and causing false alarms.

## Easy installation

---

The 16 mm standard gap distance allows for fast, easy installation and prevents false alarms from loose fitting doors. Recessed mounting holes make for clean-looking installations.

## High Quality components and materials

---

Reed legs are plated with rhodium or ruthenium, and hermetically sealed in dry nitrogen. This offers superior protection against sticking and provides a moisture free environment therefore preventing corrosion.



## Details

---

- Convenient surface mounting
- Standard 2 m wire length
- Tamper loop provided
- Neat and tidy design

# DC101S60

Contacto magnético para superficie. Apertura operativa máx. 15mm. 6m de cable. Blanco.

## Technical specifications

### General

Tipo de Aplicación	Montaje en Superficie
Tipo de contacto	NC
Conectividad	4 wires, 6 m

### Wired/wireless

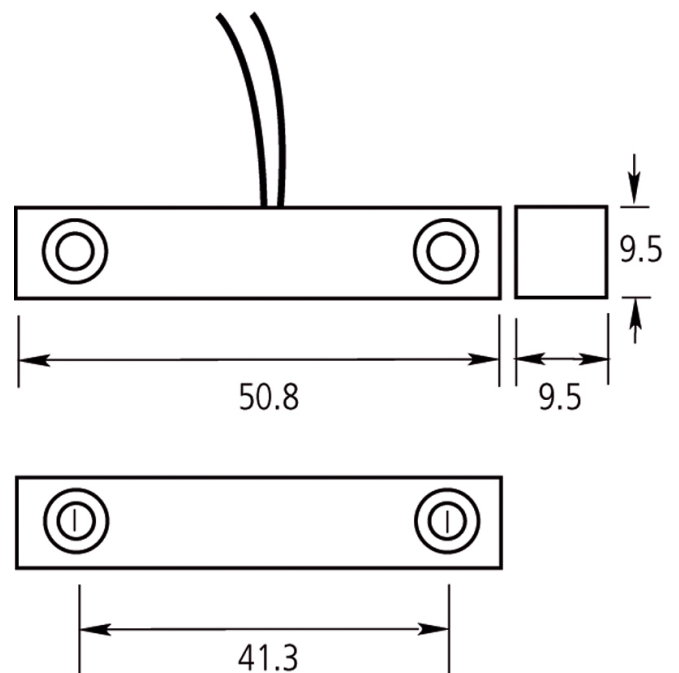
Cableado - Inalámbrico	Cableado
------------------------	----------

### Físico

Dimensiones físicas	50 x 9 x 9 mm
Brecha de funcionamiento	15 mm

### Estándares y regulaciones

Grado EN50131	Grado 2
---------------	---------



As a company of innovation, UTC Fire & Security reserves the right to change product specifications without notice. For the latest product specifications, visit UTC Fire & Security online or contact your sales representative.