

1 Introduction

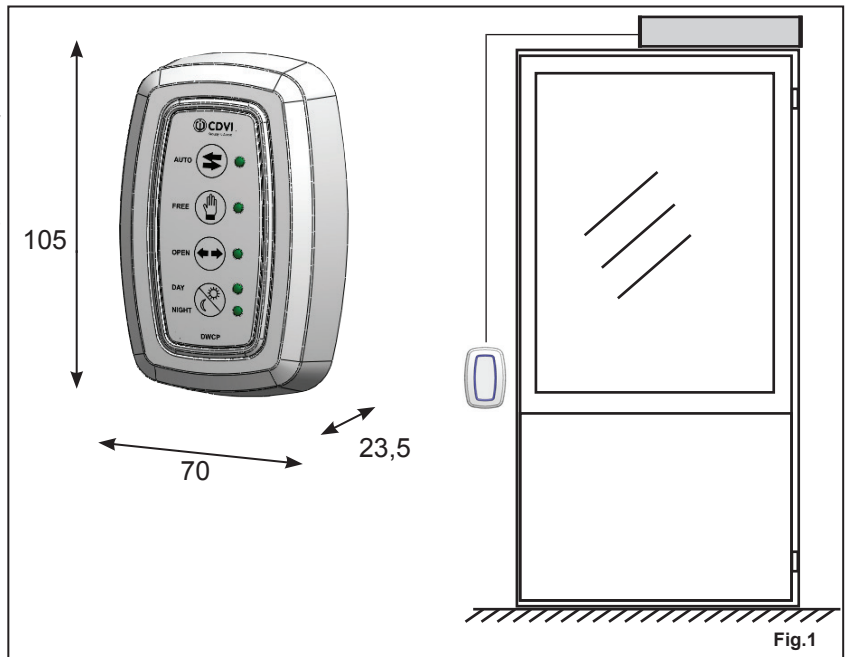
The Digiway Control Panel DWCP can be connected to the swing door operator CDVI Digiway (Digiway Plus and Digiway-SR). It replaces the external side switch of the unit that controls the operating mode of the automatic door (see par. 4 for its exclusion).

The panel DWCP allows to set the operating mode as: AUTOMATIC, DOOR FREE, DOOR OPEN and can set the day/night operation, excluding the external radar (when used).

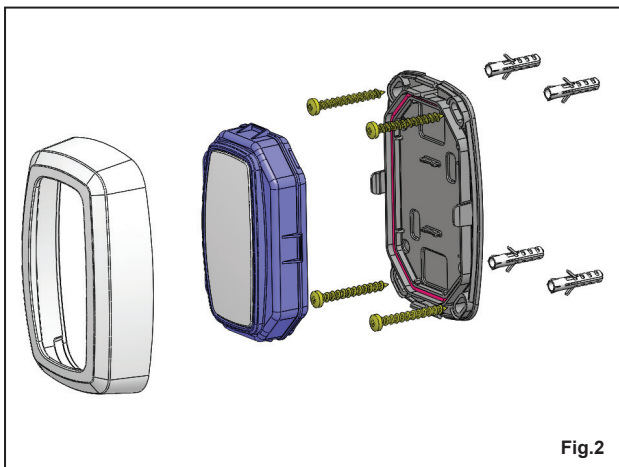
Color	Type	Part Number
White	DWCP-W	F0543000212
Black	DWCP-B	F0543000213

2 Technical Specifications

Power supply : 12 Vdc.
 Current consumption 1,5 mA
 Outputs: Open-collector.
 Dimensions (Fig. 1): 105 x 70 x 23,5
 Enclosure: IP55



3 Mounting

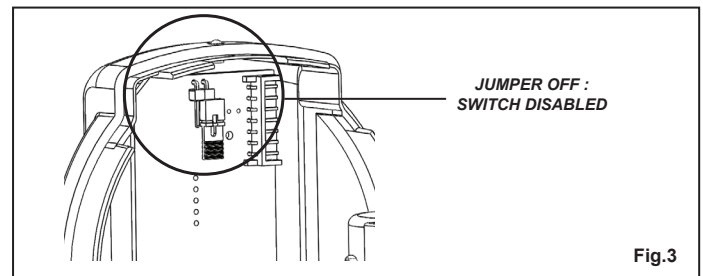


4 Digiway switch exclusion



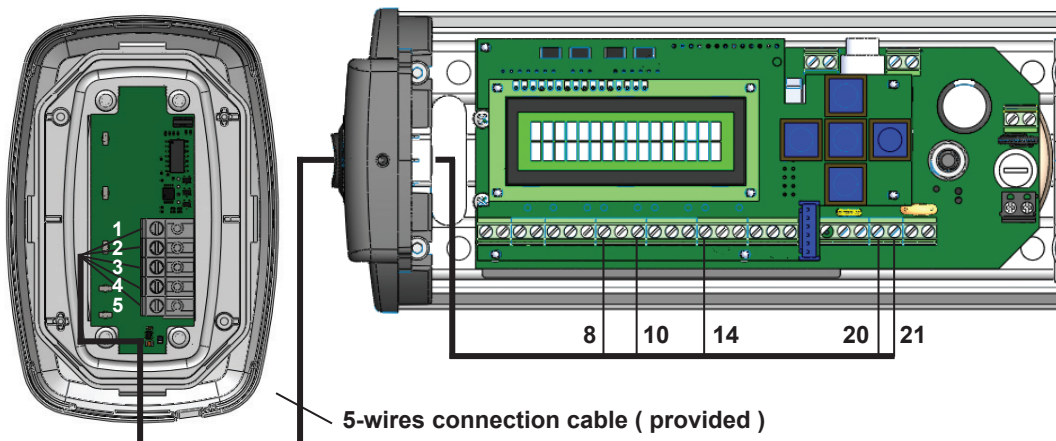
WARNING : as indicated in the Digiway's manual, to make the panel DWCP working it is necessary to exclude the round external switch of the automation. To do that, remove the jumper of the electronic card, fixed behind the left cap.

In this way the external switch is disabled and the Control Panel DWCP gets the total control of the operating mode.



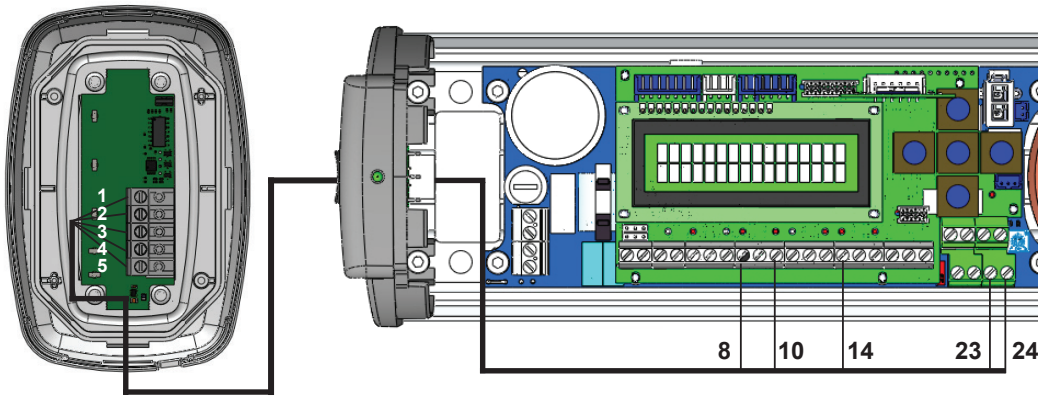
5 Wiring

5.1 : Wiring to DIGIWAY-PLUS



I/O Connections Digiway Plus		
Terminal DWCP	Description	Terminal Digiway-PLUS
1	GND	20
2	Auto	8
3	Open	10
4	Day / Night	14
5	+ 12 Vdc	21

5.2 : Wiring to DIGIWAY-SR



I/O Connections Digway-SR		
Terminal DWCP	Description	Terminal Digway-SR
1	GND	24
2	Auto	8
3	Open	10
4	Day / Night	14
5	+ 12 Vdc	23

6 OPERATION MODE

At the power on, the settings of the panel are the following:

MODE = AUTO

DAY / NIGHT = DAY.

In case of power cycle (ON-OFF-ON) the panel restores the previous configuration

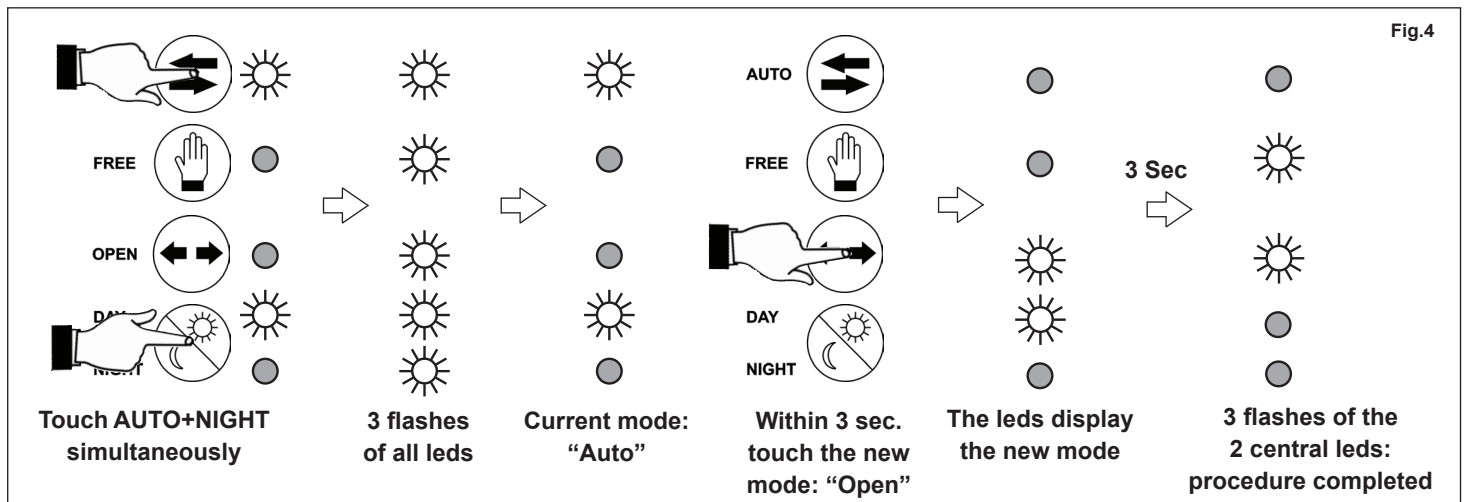
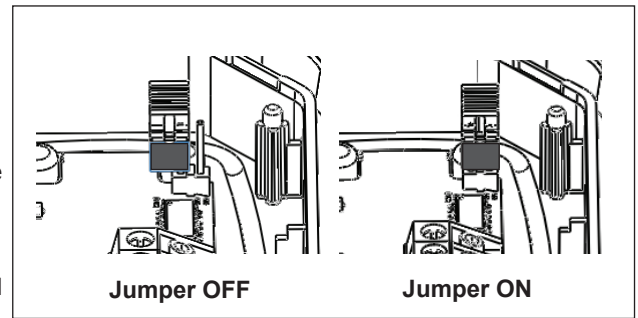
The Control panel can operate in mode "FREE" or "SECURED"

MODE FREE : Jumper ON

Touch the buttons and the operating mode will change: each LED will indicate the active mode.

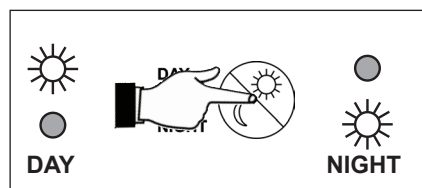
MODE SECURED : Jumper OFF

To avoid any unauthorized intervention, the operating mode can be changed only following the procedure below:



7 DAY / NIGHT

The button Day / Night changes the operating mode of the automation, excluding in night time the external radar. In night mode the external led of the Digway becomes orange.



Press the button Day / Night to swap the setting.

GUARANTEE

The warranty period for this product is 60 months, beginning from the manufacturer date. During this period, if the product does not work correctly, due to a defective component, the product will be repaired or substituted at our discretion. The guarantee does not cover the plastic container integrity. After-sale service is supplied at the factory.



IS-DWCPEN Rev. 1 on 16/7/2020