

P-9935EVAX

RS232 Communication Card

P-9935EVAX RS232 communication card provide interface between GST-IFP8 series panel and EVAX system MP via RS232 port.

Features

- Press EVAC button on GST-IFP8 panel, P-9935EVAX card will send activation command to EVAX system, all paging zone will broadcast evacuation message.
- Press Silence button on IFP8, will mute all current broadcasting.
- Press Reset button on IFP8 will reset both IFP8 and EVAX system.
- Create Cause and Effect on GST-IFP8 panel able to active the EVAX related paging zone broadcast evacuation message automatically in case fire. In order to achieve this function, need put some virtue device on cause and effect, the virtue device first 3 digit number must same as the paging zone number, and second 3 digit number is 000, virtue device type is 30.

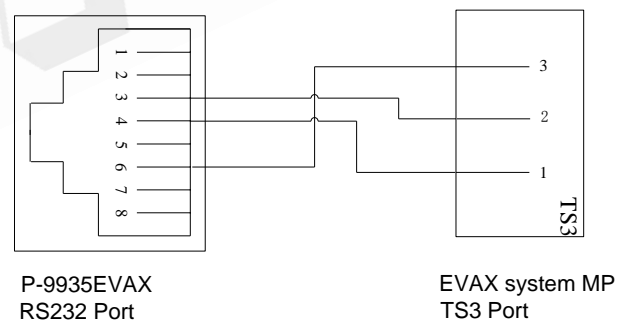
For example:

001***03 + 001***02 + 001***11= 001000 30 00

It means when there is a fire alarm from zone 1 cause by smoke detector or heat detector or MCP, paging zone 1 of EVAX system will broadcast evacuation message immediately.

- Any fault about EVAX system, IFP8 panel screen will display “Voice Alarm System Fault” message within 5 minutes.
- If the communication between IFP8 panel and EVAX system break, IFP8 panel will display “Voice Alarm System Communication Fail” within 3 minutes.

Wiring



Connection Diagram

Technical Specification

- Compatible Panel: GST-IFP8 series panels
- Communication Protocol: RS232
- Baud Rate: 2400
- Parity Check: none
- Stop Bit: 1 bit
- Communication Distance: 15 meter