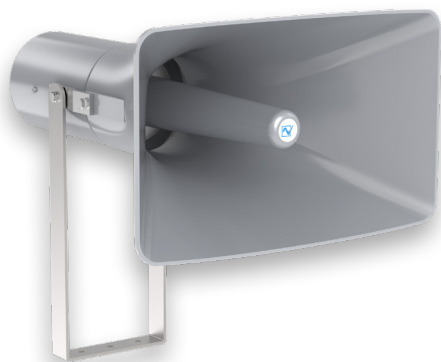


# SOUNDER 132 DB(A) PA 130



Secure alarming in the loudest environments and over large areas.

- Also dimensioned for use as warning devices in civil defence.
- With just one sounder, reaction to the most diverse alarm situations is possible by means of remote control of up to 9 of currently 80 pre-installed tones.
- Integrated self-monitoring, test function and malfunction message relay.
- Maintenance-free.
- Power-saving standby mode with automatic self-test function.
- Suitable for indoor and outdoor operation.
- Switchable 4.7 kOhm terminal resistor for cable monitoring.

**Optionally available:**

- Voice transmission possible via audio input.
- Can be mounted in a cluster by means of stable mast holder.



protection system



operating temperature



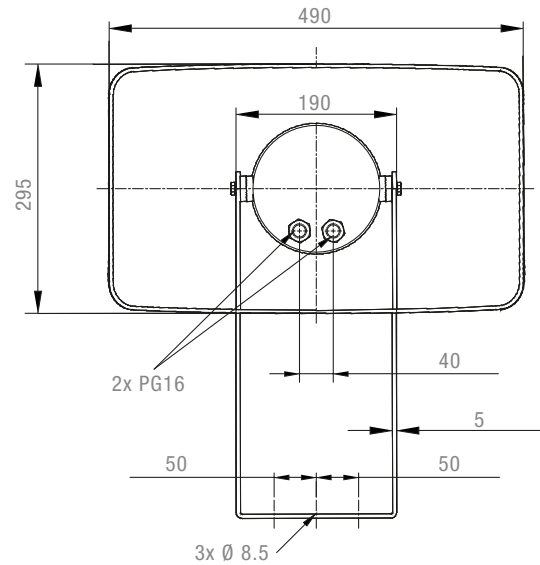
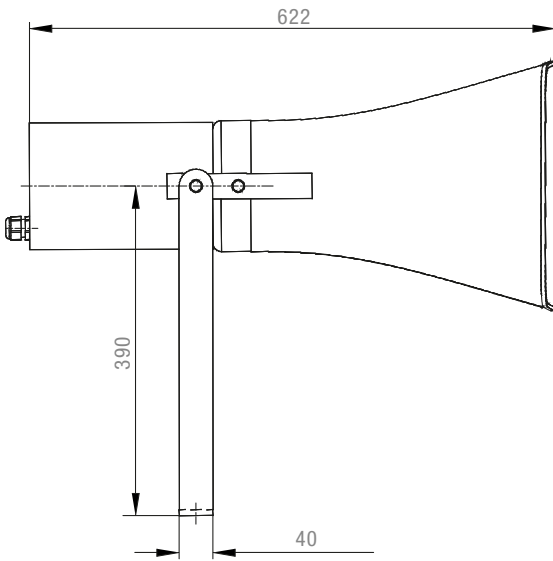
external tone selection



PRODUCT		PA 130	
DATA			
Rated voltage		230 V	20-60 V
		AC 50   60 Hz	DC
Operating range		-25 % / +15 %	20-60 V
Nominal current consumption		1 A	4A
	in standby mode	<15 mA	<40 mA
Malfunction message relay/ auxiliary relay	0.5 A, 50 V / NO or NC potential free, configurable		
Sound pressure level	132 dB(A)		
Sound pressure level @DIN-tone	130 dB(A)		
Alarm tones	80, incl. DIN tone		
Remote controlled tones	9, externally controllable		
Operating temperature	-20 °C ... +50 °C		
Storage temperature	-20 °C ... +70 °C		
Relative humidity	90 %		
Protection system according to EN 6052	IP 54		
Material	housing – horn	MOPLEN plastic, light grey	
	housing – circuitry	aluminium, painted in light grey	
Cable entry	2x PG16 for simple series connection of up to 4 sounders		
Type of connection	2x 2.5 mm <sup>2</sup>		
Weight	7.45 kg	5.85 kg	

ARTICLE NO.	PA 130	
Rated voltage	230 V AC	20-60 V DC
	2302610000	23026910000

**DIMENSIONS**



**CONNECTION DIAGRAM**

