



# TVGP-M01-0403-PTZ-G

**TruVision 4MP IP PTZ camera, H.265+, 200 m IR, 32x zoom, Hi-PoE / 24 VAC, wall mount incl.**

## Overview

---

TVGP-M01-0403-PTZ-G is a Pan Tilt Zoom IP camera for use in both indoor and outdoor installations. The camera's 4 megapixel resolution combined with excellent low light capabilities, 32x optical zoom and 200m IR illumination ensures you capture the required level of detail at all times.

The camera is fully programmable, with up to 300 presets along with 8 patrol and preset tours.

The 8-zone privacy mask feature allows these cameras to block out sensitive areas. In addition, the variety of intelligence features and analytics adds substantial value and enhanced performance to any video system.

## Video intelligence

---

The camera comes with a various built-in intelligent video features like line crossing detection, intrusion zone detection, region entry/exit detection and more. Some of these intelligence features can be refined further by adding person/vehicle classification to filter out unwanted events which automatically results in more efficient alarm event and storage management.

## Technology

---

The camera features H.265+ compression to optimize its bandwidth and storage requirements. At the same time, H.264 which is also supported, allows the camera to be connected to legacy installations where needed.

ONVIF, PSIA and CGI command sets ensure that this camera can also be easily connected to virtually any video surveillance system.



## Details

---

- 4MP resolution
- 32x optical zoom, 16x digital zoom
- IR illumination up to 200 m
- Video intelligence with person/vehicle target classification
- Built-in speaker for audio alarms
- Flashing white alarm LED
- H.265+ compression
- Wall mount bracket included

# TVGP-M01-0403-PTZ-G

TruVision 4MP IP PTZ camera, H.265+, 200 m IR, 32x zoom, Hi-PoE / 24 VAC, wall mount incl.

## Technical specifications

### General

Technology	IP
Estándar de Video	NTSC, PAL
OSD	Superposición de texto
Máscaras de privacidad	24 programmable polygon privacy masks, mask color or mosaic configurable
Compatibilidad del software	TruVision Navigator, TVRmobile, Navegador Web support
Plugin-free web browser support	Google Chrome, Mozilla Firefox

### Cámara

Tamaño del sensor	1/1,8"
Resolución máxima	4 MPX
Exploración del sensor	Progresivo
Tipo de Sensor	CMOS
Tiempo del disparador	1/1 to 1/30,000 s

### Rendimiento lumínico

Tipo WDR	WDR Verdadero
WDR	120 dB
Día/Noche	Verdadero Día/Noche
Filtro de corte IR motorizado	Si
Sensibilidad de color	Color: 0.005 Lux @ (F1.5, AGC ON), B/W: 0.001 Lux@(F1.5, AGC ON), 0 Lux with IR
Infrarrojo (IR)	Si
Rango IR	200 m
Longitud de onda del IR	850 nm

### Codificación

Flujos de video	3
Compresión del flujo principal	H.264, H.264+, H.265, H.265+
Compresión del flujo secundario	H.264, H.265, MJPEG
Compresión del tercer flujo de video	H.264, H.265, MJPEG
Bitrate de video	32 to 16 Mbps
Resoluciones del flujo principal	1280 x 720 (XVGA), 1280 x 960 (720p), 1920 x 1080 (1080p), 2560 x 1440
Resoluciones del flujo secundario	352 x 288 (CIF), 640 x 480 (VGA), 704 x 576 (4CIF)
Compresión del tercer flujo de video	1280 x 720 (XVGA), 1280 x 960 (720p), 1920 x 1080 (1080p), 352 x 288 (CIF), 640 x 480 (VGA), 704 x 576 (4CIF)
Resolución máx. @ ips	2560 x 1440 @ 25 fps

### Lente

Distancia focal	5.9 mm to 188.8 mm - Horizontal FoV 50.8 to 2.6°, vertical FoV 29.4 to 1.5°, Diagonal FoV 57.4 to 3°
f-stop	Max. F1.6
Auto iris	Si
Auto focus	Si
Zoom monitorizado	Si

### Pan/tilt/zoom

Pan	Pan speed: configurable from 0.1° to 160°/s; preset speed: 240°/s
Tilt	Tilt speed: configurable from 0.1° to 120°/s; preset speed 200°/s
PAN sin fin	Yes
Auto-Flip	Si
Zoom óptico	32X
Zoom Digital	16X
Posiciones preset	300
Preset tours	8
Shadow tours	4

### Red

Interfaz de red	Interfaz Ethernet autoadaptable RJ-45 de 10/100 Mbps
Integración	CGI, ISAPI, ONVIF Profile G, ONVIF Profile S, ONVIF Profile T, SDK
Protocolos de red soportados	802.1x, Bonjour, DDNS, DHCP, DNS, ezDDNS, FTP, HTTP, HTTPS, ICMP, IGMP, IPv4, IPv6, NTP, PPPoE, RTCP, RTP, RTSP, SNMP, TCP/IP, UPnP

### Audio

Compresión de audio	G.711A, G.711alaw, G.711ulaw, G.722.1, G.726, MP2L2, PCM
Entrada de audio	1 input (line in), max. input amplitude: 2-2.4 Vpp, input impedance: 1 kΩ ± 10%
Salida de audio	1 output (line out), line level, output impedance: 600 Ω and built-in speaker
Bitrate de audio	64 Kbps (G.711)/16 Kbps (G.722.1)/16 Kbps (G.726)/32-192 Kbps (MP2L2)

### E/S de alarma

Entradas de alarma	2
Salidas de alarma	1 alarm output and white flash alarm LED

### Almacenamiento

Tipo almacenamiento local	Built-in memory card slot, support microSD/SDHC/SDXC card
Máx. capacidad de almacenamiento	256 GB

# TVGP-M01-0403-PTZ-G

TruVision 4MP IP PTZ camera, H.265+, 200 m IR, 32x zoom, Hi-PoE / 24 VAC, wall mount incl.

## Inteligencia de video

Activador de alarma	HDD error, HDD full, Inicio de sesión ilegal, Conflicto de direcciones IP, Red desconectada
ROI	8 fixed regions for each stream
Analíticas de Video	Detección de excepción de audio, Face capture, Detección de intrusión, Detección de cruce de línea, Motion detection, Detección de objeto retirado, Detección de entrada en región, Detección de salida de región, Detección de equipaje desatendido
Intelligence options	Face capture: can detect up to 5 faces simultaneously. Supports detecting, capturing, grading, selecting of faces in motion, and generates the best face picture. Person/vehicle filtering: these options can be configured on line crossing, intrusion detection, region entry/exit detection.
Seguimiento inteligente	Si

## Eléctrico

Voltaje de funcionamiento	24 VAC, Hi-PoE
Consumo de corriente	Max. 42 W (including max. 18 W for IR and max. 10 W for heater)

## Físico

Dimensiones físicas	Ø 220 × 363.3 mm Ø 8.66 × 13.91 in.
Peso neto	Approx. 5.0 kg Approx. 11.03 lb.
Color	Gris (Pantone 428c)
Material	Aluminio
Factor de forma	PTZ

## Medioambiental

Temperatura de funcionamiento	-30 to 65°C -22 to 149°F
Humedad relativa	90% or less, noncondensing
Clasificación IP	IP66

## Normativa

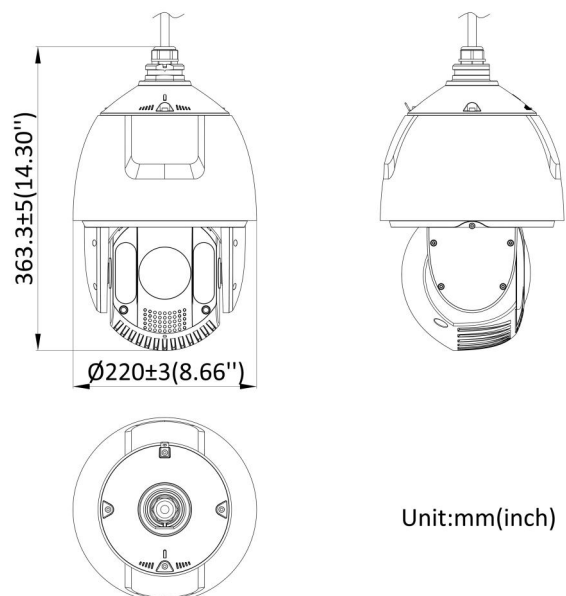
Cumplimiento	CE, EMC, FCC, RCM, REACH, RoHS 3, UKCA, UL, WEEE
--------------	--

## Network

Simultaneous live view	Up to 20 channels
------------------------	-------------------

## Compatible accessories

Wall mount bracket	Included
TVMI-PM	TruVision pendant mount bracket, 57 mm / 2.24"
TVMI-PM2	TruVision pendant mount bracket, 200 mm / 7.87"
TVMI-PM3	TruVision pendant mount bracket, 500 mm / 19.7"
TVP-WM-CM	Corner mount: use included wall mount bracket in combination with TVP-WM-CM
TVP-WM-PM	Pole mount: use included wall mount bracket in combination with TVP-WM-PM
TVP-CMB-01	TruVision corner mount with connection box for P and M Series IP PTZ cameras
TVP-PMB-01	TruVision pole mount with connection box for P and M Series IP PTZ cameras



Unit:mm(inch)



Como empresa innovadora, Carrier Fire & Security se reserva el derecho de modificar las especificaciones de los productos sin previo aviso. Para conocer las últimas especificaciones de los productos, visite la Web de [es.firesecurityproducts.com](http://es.firesecurityproducts.com) o póngase en contacto con su comercial.

Last updated on 17 August 2022 - 15:32